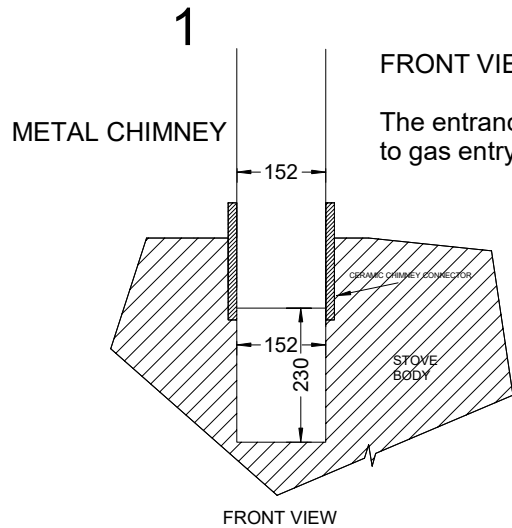
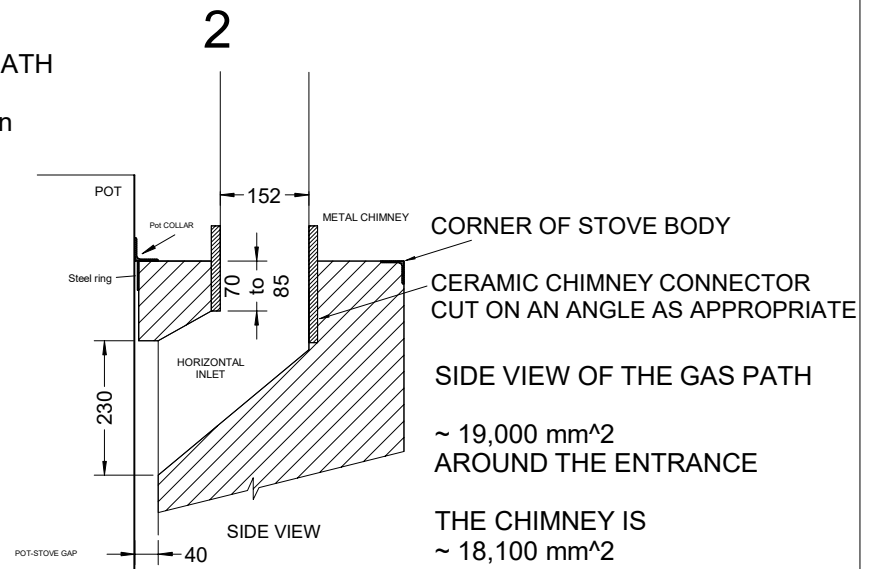


DETAILS OF THE CHIMNEY MOUNT



The angled bottom causes the chimney soot to drop into the heat exchanger so as not to block the chimney bottom.



			2024 MEMD 250 LITRE STOVE
			Key Features:
			Bottom of the chimney access channel is sloped so as to drop soot.
			Chimney entrance area is larger than the chimney pipe
			Material: Brick and High temperature brick
			Quantity: Various
			Scale: Not to scale
Version:	Date:	Initials CPP	Drawn By: C Pemberton-Pigott
Drawing No. 05 MEMD 250 Litres Chimney Details			Part: Chimney Details